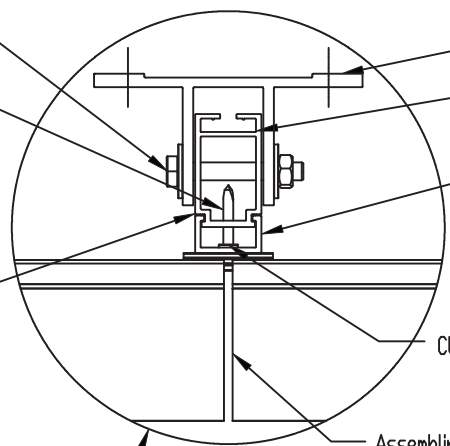


Hexagon bolt M10x70
+nut M10 and washers (2 pcs.)

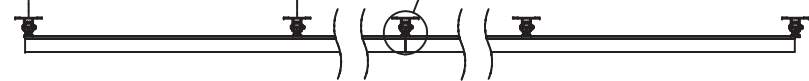
Mounting profile fixing with
Ø5,5x38 drill screw,
spacing c/c 500...700 mm.

Frame adjustment in direction of
depth approximately 30 mm.



Recommended frame spacing 1500 mm

DETAIL A
SCALE 10:1



DETAIL B
SCALE 10:1

- Bolts of mounting racks:
- Element's upper rack from circular punch
 - Other racks in frame's continuous part from oval punch
 - Extension rack from both punches, oval to upper element's bottom edge.

	Yleistoleranssi General tolerance +0 -0,5 mm	Tuote Product AluClick with frame		Piirustusnumero Drawing number 90000556	Revisio Revision 06
Mittakaava scale 1:30	A3	Massa Mass kg	Nimi Name Installation assembly	Pvm. piirretty Date created SL 31.10.2007	Sivu Page 3/5
Lisätieto Additional information		Materiaali Material Al	Materiaalipaksuus Material thickness	Pvm. muutettu Date changed SL 20.2.2009	Tunnistuskoodi Identification code
		Pintakäsittely Surface finish Powder painting	Projektiinumero Project number		
+358 (0)20 742 1700					