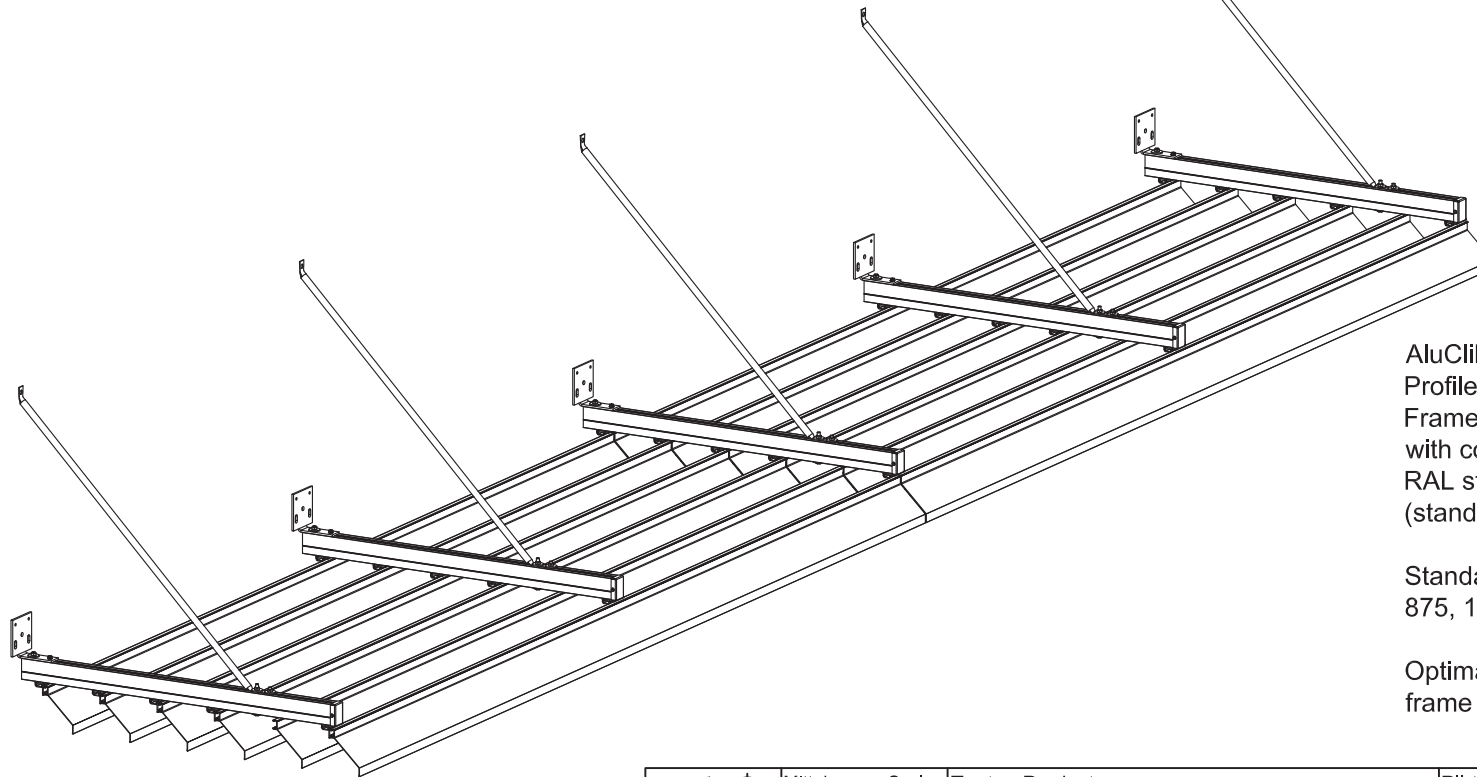
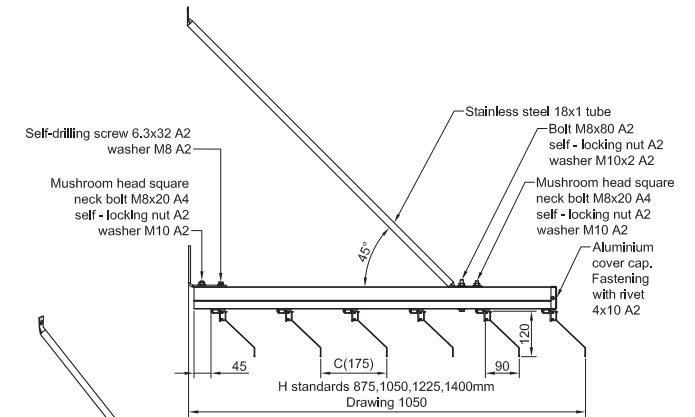
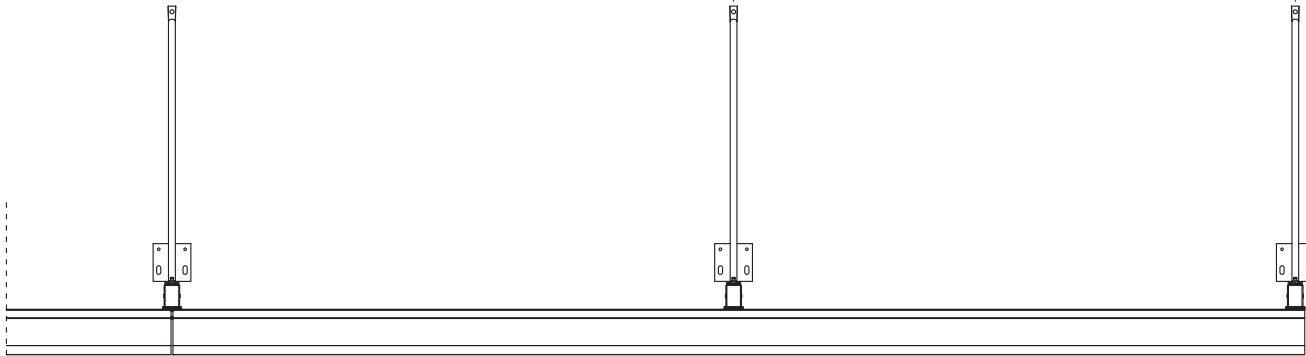



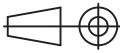
Recommended  
frame/fastening spacing max.1500mm



AluCliK Horizontal louver  
Profile type AC-4 120x90  
Frame 43x37+mounting profile 37x21  
with cover caps  
RAL standard powder coating  
(standard color RAL-9007)

Standard H dimensions  
875, 1050, 1225, 1400

Optimal dimensioning: profile 2995mm,  
frame c/c 1500, adjustment on end/ends.

		Mittakaava Scale 1:20 A4	Tuote Product AluCliK Horizontal louver with cover caps	Piirtänyt Drawn by Hri
			Nimi Name Materiaali Material Aluminium	Pvm, piirretty Date created 7.2.2013 Pintakäsittely Surface finish Powder painting or anodizing