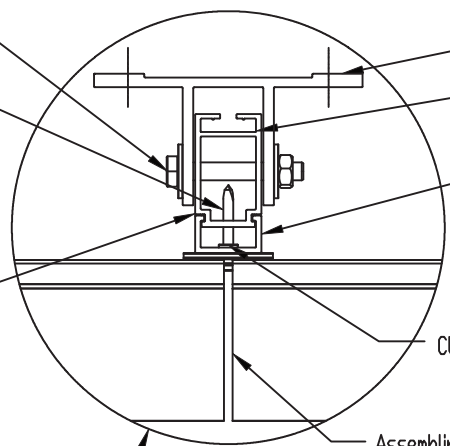


Hexagon bolt M10x70
+nut M10 and washers (2 pcs.)

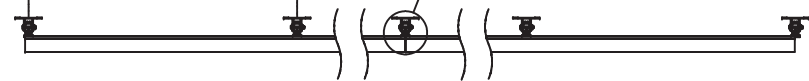
Mounting profile fixing with
Ø5,5x38 drill screw,
spacing c/c 500...700 mm.

Frame adjustment in direction of
depth approximately 30 mm.



Assembling gap 5 mm
between lamellas.

Recommended frame spacing 1500 mm



DETAIL A
SCALE 10:1

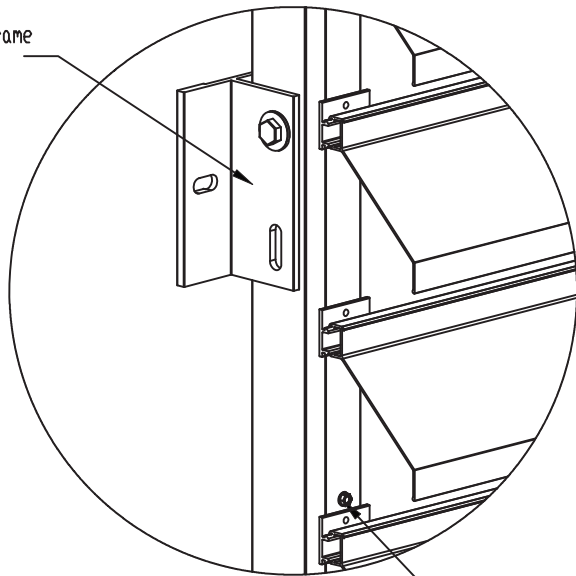
DETAIL B
SCALE 10:1

- Bolts of mounting racks:
- Element's upper rack from circular punch
 - Other racks in frame's continuous part from oval punch
 - Extension rack from both punches, oval to upper element's bottom edge.

	Yleistoleranssi General tolerance +0 -0,5 mm	Tuote Product AluClick with frame		Piirustusnumero Drawing number 90000556	Revisio Revision 06
Mittakaava scale 1:30 A3	Massa Mass kg	Nimi Name Installation assembly	Pvm. piirretty Date created SL 31.10.2007	Sivu Page 3/5	
Lisätieto Additional information		Materiaali Material Al	Materiaalipaksuus Material thickness	Pvm. muutettu Date changed SL 20.2.2009	Tunnistekoodi Identification code
		Pintakäsittely Surface finish Powder painting	Projektiinumero Project number		
+358 (0)20 742 1700		Häusnumero Order number			

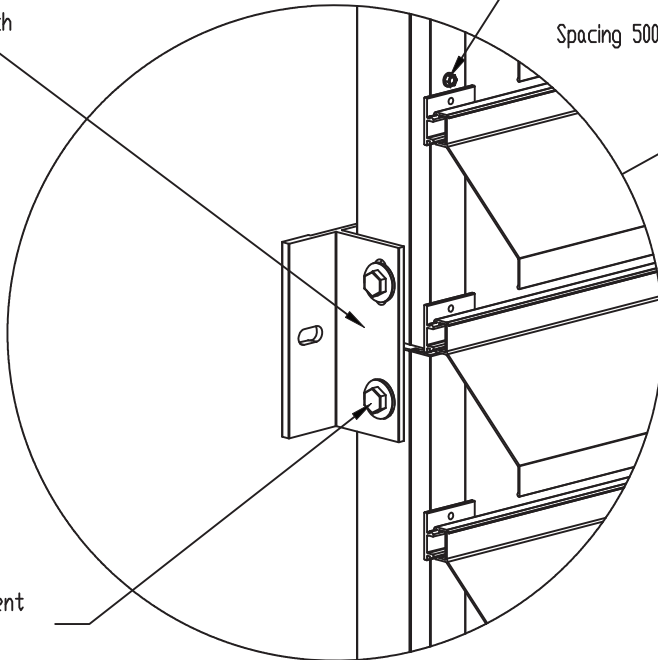
Element's upper mounting rack
=> Bolt to circular punch.

ATTENTION! If there was more
mounting racks in continuous part of frame
those will be bolted through oval punch!



Mounting rack in splicing.

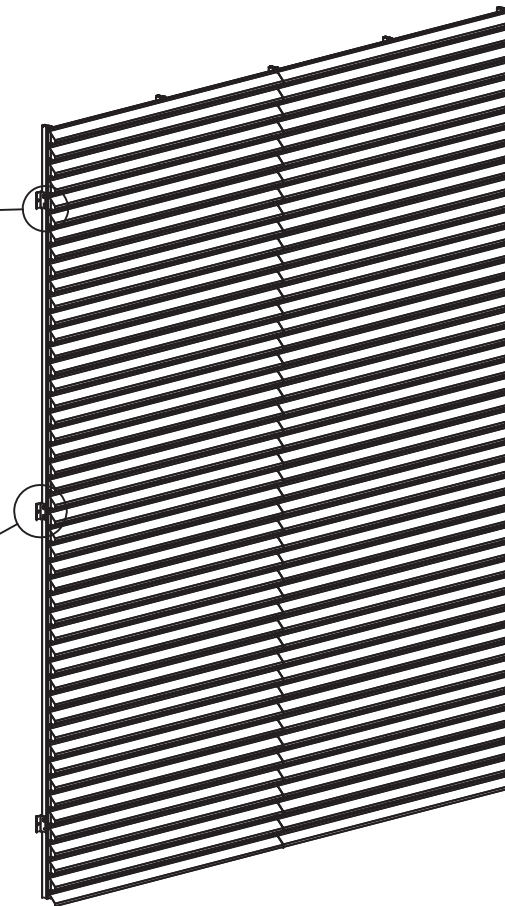
ATTENTION! Oval punch
to upper side!



Lower element
mounting

Mounting profiles' fixing
to frames with drill screws.

Spacing 500...700 mm.



	Yleistoleranssi General tolerance +0 -0,5 mm	Tuote Product AluClick with frame	Piirustusnumero Drawing number 90000556	Revisio Revision 06
Mittakaava scale 1:50	A3	Massa Mass kg	Nimi Name Installatin assembly 3D	Sivu Page 4/5
Lisätieto Additional information		Materiaali Material Al	Materiaalipaksuus Material thickness	Pvm. muutettu Date changed SL 20.2.2009
		Pintakäsittely Surface finish Powder painting	Tunnistekoodi Identification code	
+358 (0)20 742 1700		Ilmausnumero Order number	Projektinumero Project number	